



Type(s)  
Project  
Date  
Notes

OVERVIEW

Fixture Overview

Engineered for larger lighting applications, SolaHyBeam 2000 offers high-intensity output in a truly versatile hybrid luminaire. Rivaling the most powerful 1500 W arc source instruments, the fixture uses a 600 W Ultra-Bright White LED engine to produce 26,000 lumen output. Combined with the unique wash/beam optical design and a versatile zoom range, SolaHyBeam 2000 creates a wide range of dramatic lighting looks.

Perfect for live music venues, theatres and performing arts centers, the luminaire excels in any environment where sheer quality of light, versatility and power are the key requirements. Six fixed colors plus CMY/CTO color mixing system, a 7-position rotating gobo wheel, light and heavy frost, iris and full framing shutters round out the SolaHyBeam 2000's potent toolbox.

Applications

- Arenas and stadiums
- Large theatres
- Film and television broadcast studios
- Large scale events
- Megachurches and houses of worship

Product Features

- Bright white LED engine
- 600 W Ultra-Bright engine producing 26,000 field lumens
- Massive glass front lens with patented Lens Defogger
- Extremely powerful 7°–46° zoom
- CMY/CTO - Linear color mixing system
- Six position plus open replaceable Color Wheel
- Framing system for total control of beam shaping
- 16-blade iris for extremely tight beam effects
- Beautifully linear dual frost system
- Seven position plus open Rotating Gobo Wheel
- Integrated yoke arm handles
- Patented active thermal control
- Patented lens defogger

ORDERING INFORMATION

SolaHyBeam 2000

Model	Description
H7010035	SolaHyBeam 2000, Black, Ultra-Bright with Flag CMY in Road Case

**Color Options:** Fixtures ship standard in black. White available by request.  
**Included Accessories:** Fixture includes two (2) Omega brackets, one (1) fixture power cord, bare ends to blue powerCON® input, and a safety cable.

Accessories

Model	Description
7410B7037-A	Fixture Power Cord upgrade, Edison to powerCON
7410B7037-B	Fixture Power Cord upgrade, Stage Pin to powerCON
7410B7037	Fixture Power Cord upgrade, L620 to powerCON
67040007	MegaClaw™
55040014	Cheeseborough 2" Alloy 1/2 Coupler Truss Clamp
67040010	Mini-Claw™



## PRODUCT SPECIFICATIONS

## Source

Engine	Ultra-Bright white light engine
LED Details	600 W
Integrating Sphere Lumens	26,000 lumens
LPW	43
LED Life	50,000 hours
Native CCT	7,400 K
Transferable Light Engine	Yes

## Color

Color Mixing	Cyan, magenta, yellow, CTO-linear
Color Temperature	Variable down to 2800 K
Color Wheel	Six (6) interchangeable dichroic chips plus open

## Optical

Beam Angle Range	7°–38°
Wash Angle Range	10°–46°
Gate Size	28 mm
Pattern Projection	Rotating and indexable wheel with seven (7) patterns plus open
Frost	Linear light and heavy diffusion
Iris	16-blade iris
Framing	Four-plane, full-curtain framing system with 90° module rotation
Flicker Control/Hz Range	2.4 kHz

## Control

Input Method	DMX (5-pin and 3-pin) or Ethernet
Protocols	DMX via RS-485
Modes (Footprint)	One (39 channels)
RDM Functions	Yes
UI Type	Full color graphical UI with 6-button navigational control
Local Control	Yes
Dimming Performance	16-bit, DMX controlled

## Electrical

Voltage Range	100–240 VAC, 50–60 Hz
Input Method	powerCON
Wattage (Standard/+Defogger)	1049 / 1089 W
Current (Max)	8.6 A @ 100 V
Inrush (first half-cycle)	120 V: 20.0 A 208 V: 42.4 A

## Thermal

Ambient Operating Temp	0°–45°C (32°–113°F)
Fan Mode	Three modes: Standard, Continuous, and Studio
Stationary Noise	38 dBA at full intensity (32 dBA background noise)
Lens Defogging	Patented Lens Defogger included

## Physical

Pan and Tilt Range	540° pan, 270° tilt
Max Pan/Tilt Speed	360° in 3.09 s / 180° in 1. s
Materials	Steel and aluminum frame with molded plastic covers
Color Options	Black, white by request
Mounting Options	Any orientation
IP Rating	IP20
Weight	43 kg (95 lb)
Included Accessories	powerCON to bare end fixture tail Two (2) clamp brackets Safety cable

## Warranty

Fixture Warranty	Five (5) year for light engine Two (2) year for complete fixture
Warranty Details	<a href="http://etconnect.com/Support/Warranty.aspx">etconnect.com/Support/Warranty.aspx</a>

## Regulatory &amp; Compliance

Regulatory Standards	Listed to UL 1573 Certified to CSA STD. C22.2 No: 166 EAC
CE compliance declared to these standards	Safety: EN 60598-1, EN 60598-2-17, EN 62031, EN 62471 EMC: EN 55015, EN 61547, EN 61000-3-2, EN 6100-3-3
Complies to the ROHS directive	Yes

## Safety

Safety	Minimum distance to illuminated surface = 1.0 m (3.3 ft) Minimum distance from fixture head to combustible materials = 1.0 m (3.3 ft)
--------	--

**Note:** All LED sources experience some lessening of light output and some color shift over time. LED output will vary with thermal conditions. Thermal conditions can be affected by ambient temperatures and orientation.

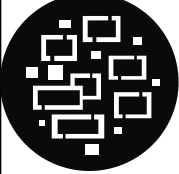
OPTICAL INFORMATION

**Rotating Gobo Details**

Outside Diameter	30 mm (1.18 in)
Image Diameter	24 mm (0.95 in)
Materials	0.5 mm aluminum 1.25 mm glass Borofloat®

**Color Wheel Details**

Shape	Interchangeable wedge
Materials	1.1 mm glass Borofloat

	1 - Spokes
	2 - Dots
	3 - Perfora
	4 - Monovekto
	5 - Bars
	6 - Psych
	7 - Rays

	1 - Red
	2 - Blue
	3 - Green
	4 - Orange
	5 -Purple
	6 - Dark Blue

PHOTOMETRIC INFORMATION

SolaHyBeam 2000

	Degree	Candela	Field Lumens	Power Usage	Lumens Per Watt
Narrow Beam	7	1,654,400	17,700	600 W	30
Narrow Wash	10	1,146,600	16,200	600 W	27
Wide Beam	38	106,500	20,400	600 W	34
Wide Wash	46	75,500	18,100	600 W	31

Narrow Beam - 7°

Throw Distance	10 ft 3.0 m	20 ft 6.1 m	30 ft 9.1 m	50 ft 15.2 m	200 ft 61 m
Field Diameter	1.2 ft 0.38 m	2.4 ft 0.75 m	3.7 ft 1.12 m	6.1 ft 8.3 m	24.5 ft 7.46 m
Illuminance (fc)	16,544	4,136	1,839	662	42
Illuminance (lux)	178,012	44,503	19,779	7,120	445

Narrow Wash - 10°

Throw Distance	10 ft 3.0 m	20 ft 6.1 m	30 ft 9.1 m	50 ft 15.2 m	200 ft 61 m
Field Diameter	1.7 ft 0.54m	3.5 ft 1.07 m	5.2 ft 1.60 m	8.7 ft 2.67 m	35.0 ft 10.67 m
Illuminance (fc)	11,466	2,867	1,274	459	29
Illuminance (lux)	123,370	30,843	13,708	4,935	308

Wide Beam - 38°

Throw Distance	10 ft 3.0 m	20 ft 6.1 m	30 ft 9.1 m	50 ft 15.2 m	200 ft 61 m
Field Diameter	6.9 ft 2.10 m	13.8 ft 4.20 m	20.7 ft 6.30 m	34.4 ft 10.50 m	137.7 ft 41.99 m
Illuminance (fc)	1,065	267	119	43	3
Illuminance (lux)	11,450	2,863	1,272	458	29

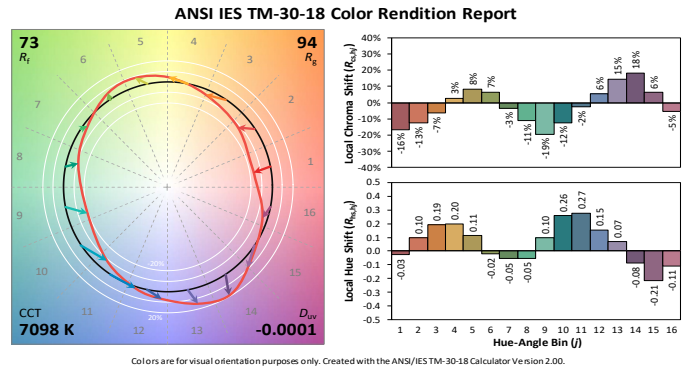
Wide Wash - 46°

Throw Distance	10 ft 3.0 m	20 ft 6.1 m	30 ft 9.1 m	50 ft 15.2 m	200 ft 61 m
Field Diameter	8.5 ft 2.59 m	17.0 ft 5.18 m	25.5 ft 7.77 m	42.4 ft 12.94 m	169.8 ft 51.76 m
Illuminance (fc)	755	189	84	31	2
Illuminance (lux)	8,115	2,029	902	325	20

To determine center beam illumination in footcandles at any throw distance, divide candela by the throw distance squared.

Metric conversions: For meters, multiply feet by 0.3048.  
For lux, multiply footcandles by 10.76.

SolaHyBeam 2000 - Ultra-Bright - Spectral Data



Additional Color Metrics

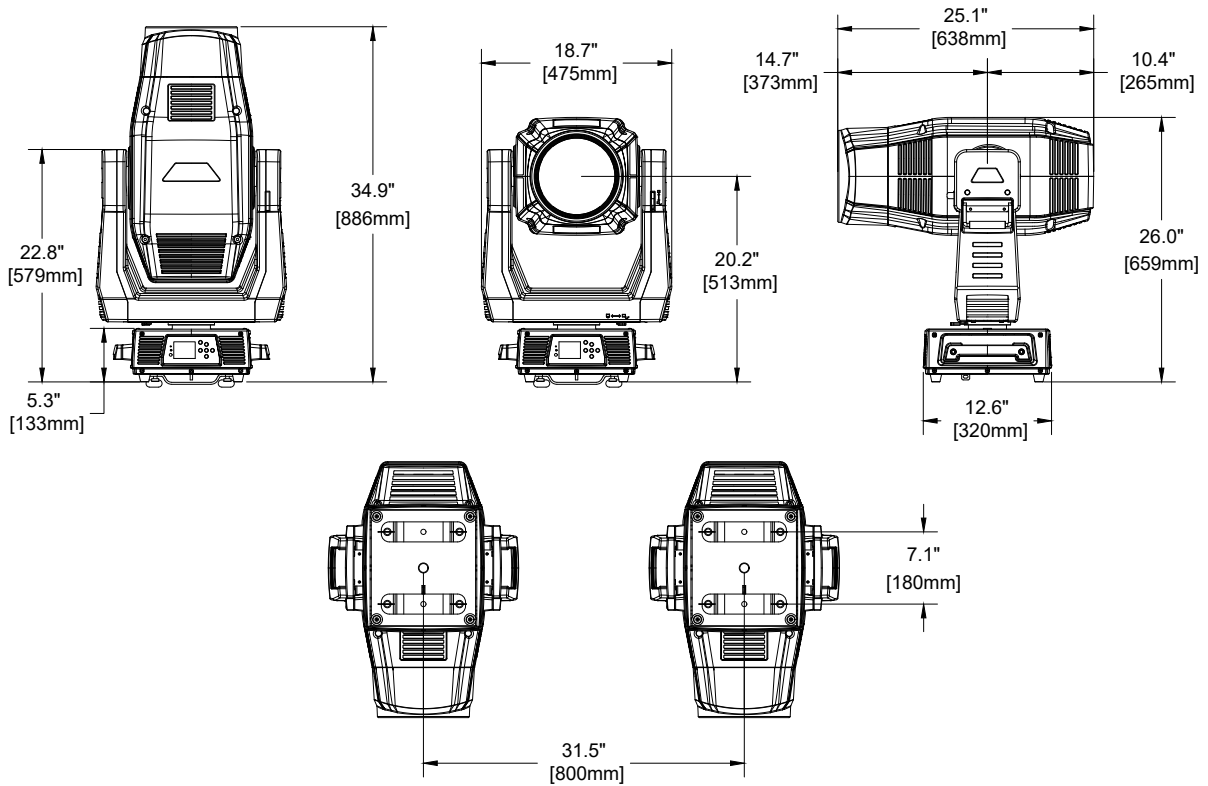
	SolaHyBeam 2000 Ultra-Bright Engine
CRI R <sub>a</sub> (R <sub>9</sub> )	70 (-14)
TLCI	51

PHYSICAL INFORMATION

SolaHyBeam 2000 Dimensions

Model	Height		Width		Depth		Weight	
	in	mm	in	mm	in	mm	lb	kg
SolaHyBeam 2000*	34.9	886	18.7	475	12.6	320	95	43
SolaHyBeam 2000 in Roadcase	39.5	1004	21.9	555	29.8	756	200	90.72

\*Does not include mounting hardware



SolaHyBeam 2000 Power Table

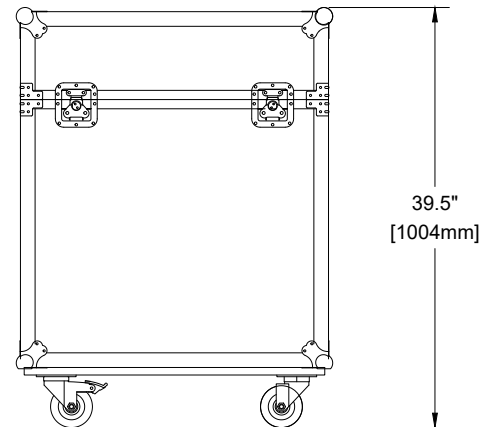
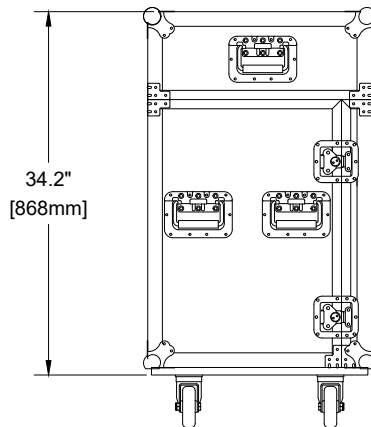
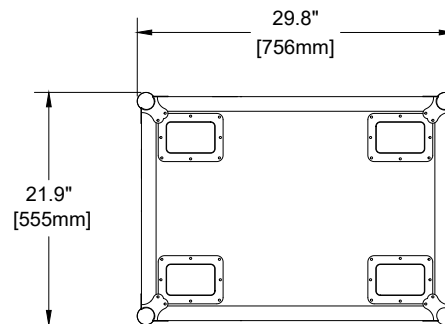
VAC	Amps	Hz	Watts	VA	PF
100	10.9	50	1089	1094	0.99
120	8.9	60	1059	1063	0.99
200	5.2	50	1016	1039	0.97
208	5.0	60	1013	1027	0.98
220	4.7	50	1011	1037	0.97
230	4.5	50	1008	1030	0.97
240	4.3	60	1006	1027	0.97

ADDITIONAL ORDERING INFORMATION

Additional Accessories

Model	Description
80560060	Optional TM-30 Filter (not installed)
H7500001	Extra Omega clamp brackets
H7300105	Galvanized safety cable with spring snap

Roadcase Dimensions



Corporate Headquarters • Middleton, WI USA  
 Global Offices • London, UK • Rome, IT • Holzkirchen, DE • Paris, FR • Hong Kong • Dubai, UAE •  
 Singapore • New York, NY • Orlando, FL • Los Angeles, CA  
 Copyright©2021 ETC. All Rights Reserved. All product information and specifications subject to change. Rev C 2021-03  
 Trademark and patent info: [etconnect.com/AP](http://etconnect.com/AP)

[etconnect.com](http://etconnect.com)